

fluid

Innovative fixtures for life

SPECIFICATIONS

Specifications

- Undermount double bowl kitchen sink
- High quality fluid sink are formed of #18 gauge (1.2mm) type 304 (18-8) nickel-bearing stainless steel.
- Overall dimension: 29-1/16" (738mm) x 20-1/16" (510mm) x 9" (229mm)
- Minimum cabinet size: 34" (864mm)
- Has 3-1/2" (90mm) diameter recessed drain opening.
- Full undercoating and large rubber pads for noise reduction and condensation elimination.
- The exposed surfaces are polished to a satin finish.
- Cut-out template and mounting hardware are included.
- Stainless steel strainers are included.
- The sink is individually packed.

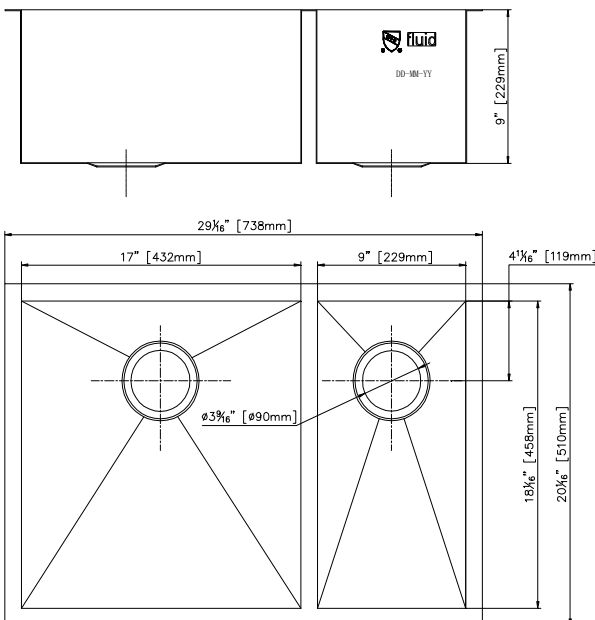
Codes and Standards

- ANSI/ASME A112.19.3-2000
- CSA B45 Series-02
- IAPMO / cUPC Listed

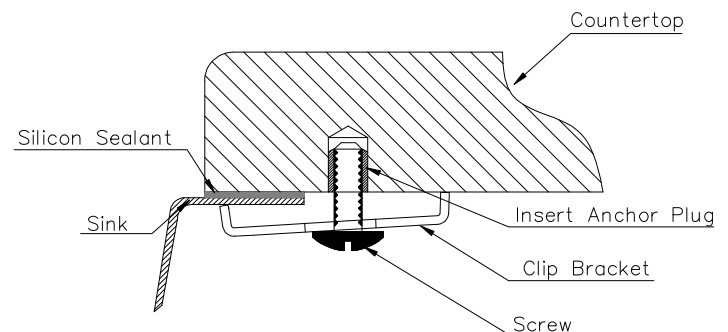
Warranty

- Limited Lifetime Sink Warranty against material and manufacturing defects for residential use.
- 1 Year Limited Warranty on all industrial, commercial and business applications.

fluid Point 90 Deg Angle Sink Double Bowl Kitchen Sink Model: UD2920(1-1/2, 9")



Installation Detail



Optional Accessories such as colander, bottom grid and cutting board may be available. Please contact our sales representative for details.

IMPORTANT NOTE:

Cut-out template is included in the carton box. Fabricator must check it for accuracy. We are not responsible for wrong cutting.