

# caroma®

CI/SfB	(74.2)	n6
Date	October 2008	

Supersedes all previous issues

## Liano Self-Rimming

# 5.1

### Vitreous China Lavatories/Sinks

Nominal Size 16<sup>3</sup>/<sub>8</sub>" (415mm) x 16<sup>3</sup>/<sub>8</sub>" (415mm)



## c-UPC®

IAPMO listed for USA & Canada

Distributed by:

WaterWise Technologies International  
P.O. Box 18959 · Asheville, NC 28804

[www.waterwisetech.net](http://www.waterwisetech.net)  
828.252.8144

# Liano Self-Rimming

## Vitreous China Lavatories/Sinks

Lavatory Size: 16<sup>3</sup>/<sub>8</sub>" (415mm) x 16<sup>3</sup>/<sub>8</sub>" (415mm) (nominal)



The **Liano Self-Rimming** lavatory has been designed to meet the needs of the designer market for prestige projects. An architectural minimalist style was adopted for the square Liano incorporating a generous bowl area and distinctive tapware platform. The rim is sealed to the countertop with an acetic cured silicone caulking.

**Faucet Holes:** Lavatory available in: one faucet hole – centre option Code No. 664718 and three faucet hole 8" option Code No. 664738.

**Drain Outlet:** Drain outlets use 1<sup>1</sup>/<sub>4</sub>" (32mm) diameter drain outlet assemblies.

**Bowl Capacity:** 1.26 gal (4.8 l) to overflow.

**Weight:** 31 lbs (14 kg).

**Overflow:** Rear overflow.

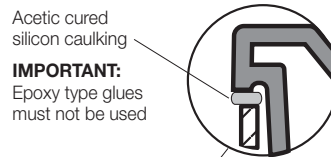
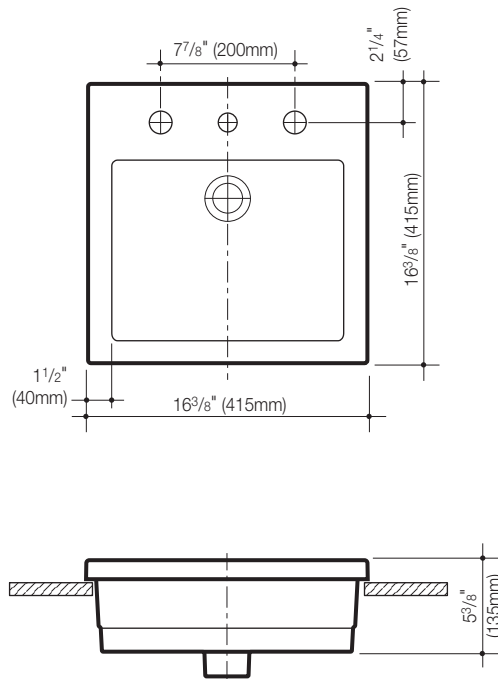
**Fixing:** The underside of the lavatory rim must be sealed to the countertop with an approved acetic cured silicon caulking. **Epoxy type glues must not be used.** The lavatory is supplied with a template which must be used for the countertop cut-out.

**Color:** White.

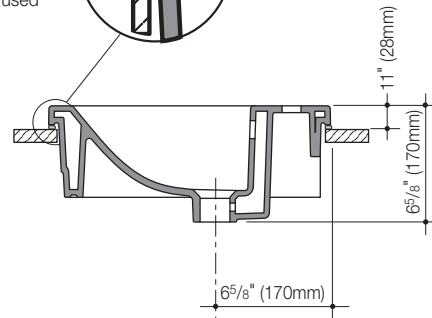
**Dimension:** All dimensions are in inches and millimetres and are subject to normal manufacturing variations. Caroma pursues a policy of continuing improvement in design and performance of its products. The right is therefore reserved to vary specifications without notice

c-UPC®

IAPMO listed for USA & Canada



Acetic cured silicon caulking  
**IMPORTANT:**  
Epoxy type glues must not be used



Caroma International Pty Ltd. ABN 90 35 053 413 157

Distributed by:

WaterWise Technologies International  
P.O. Box 18959 · Asheville, NC 28804

[www.waterwisetech.net](http://www.waterwisetech.net)  
828.252.8144